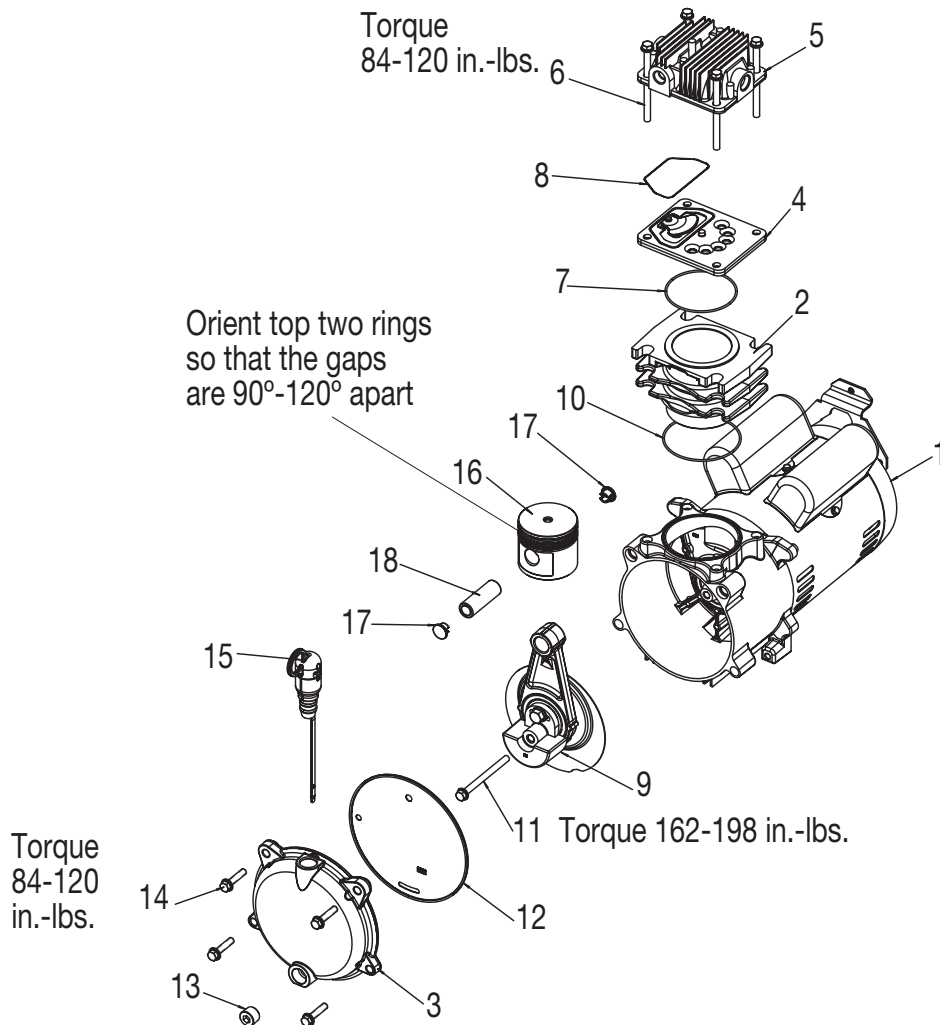


CPLDC2540S-1



Key No.	Part Number	Description
---------	-------------	-------------

1	Z-D28255	Motor
2	Z-D22191	Cylinder Sleeve

NOTE: It is recommended to replace the rings when replacing the cylinder sleeve.

3	D22213	Crankcase Cover
4	Z-AC-0032	Valve Plate Assembly
5	D21348	Head
6	D24472	Screw, .250-20X3.470
7 *	SSG-8156	O-Ring
8 *	ACG-45	O-Ring, Head
9	Z-D22207	Connecting Rod/Eccentric Assembly
10 *	D22194	O-Ring
11	D22211	Screw, .250X28X3.00

Key No.	Part Number	Description
---------	-------------	-------------

12 *	D22212	O-Ring Baffle
13	SSP-486	Plug Pipe 3/8 - 18 NPT
14	AC-0798	Screw, .250-20X1.25 hex
15	D24045	Dipstick
16	D22197	Piston with rings

NOTE: It is recommended to replace the cylinder sleeve when replacing the piston with rings.

17	D22203	Piston Pin Plug
18	D22199	Piston Pin
*	D24296	O-Ring Kit
	D24294	Capacitor Kit

NOTE: See operator's manual for oil information.